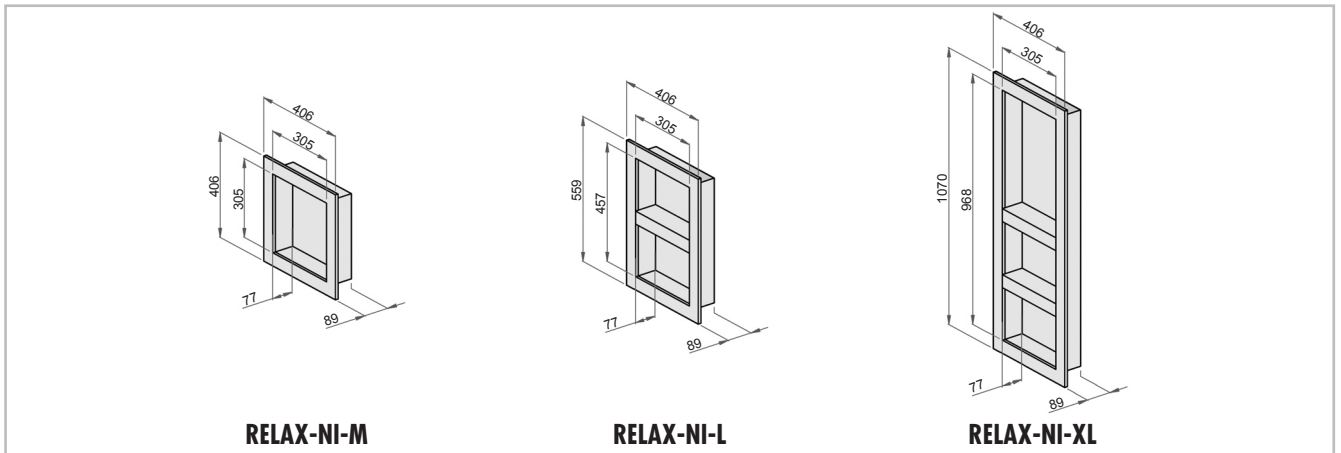






■ **PRODUCT SPECIFICATIONS – LUX ELEMENTS®-RELAX-NI**

* standard-compliant according to DIN 18534

ARTICLE-NUMBER	ARTICLE-NAME / ARTICLE-DESCRIPTION	NOMINAL FORMATS/DIMENSIONS LENGTH x WIDTH x HEIGHT	UNIT	PRICE / UNIT €
----------------	------------------------------------	--	------	----------------



	LREL8201	RELAX-NI-M* , prefabricated niches made of hard foam support material	406 x 406 x 89 mm	piece	
	LREL8202	RELAX-NI-L* , prefabricated niches made of hard foam support material, including 1 loose shelf	559 x 406 x 89 mm	piece	
	LREL8203	RELAX-NI-XL* , prefabricated niches made of hard foam support material, including 2 loose shelves	1070 x 406 x 89 mm	piece	
	RELAX-NI LI-WW , LED light rope warm white, protection class IP 67, 24 V, 5 m supply cable, incl. power supply unit				
	LREL8211	RELAX-NI LI-WW 300 , for RELAX-NI M, L and XL (vertical installation)	length 300 mm	set	
	LREL8212	RELAX-NI LI-WW 450 , for RELAX-NI L (horizontal installation)	length 450 mm	set	
	LREL8213	RELAX-NI LI-WW 950 , for RELAX-NI XL (horizontal installation)	length 950 mm	set	



LUX ELEMENTS manufactures individual customised and special products for RELAX. These include dimensions, thicknesses, shapes etc. that deviate from the standard programme.



Visit www.luxelements.com for further information on RELAX. Data sheets, assembly instructions, test certificates and additional brochures under 'Downloads', videos under 'Practice' and on YouTube.