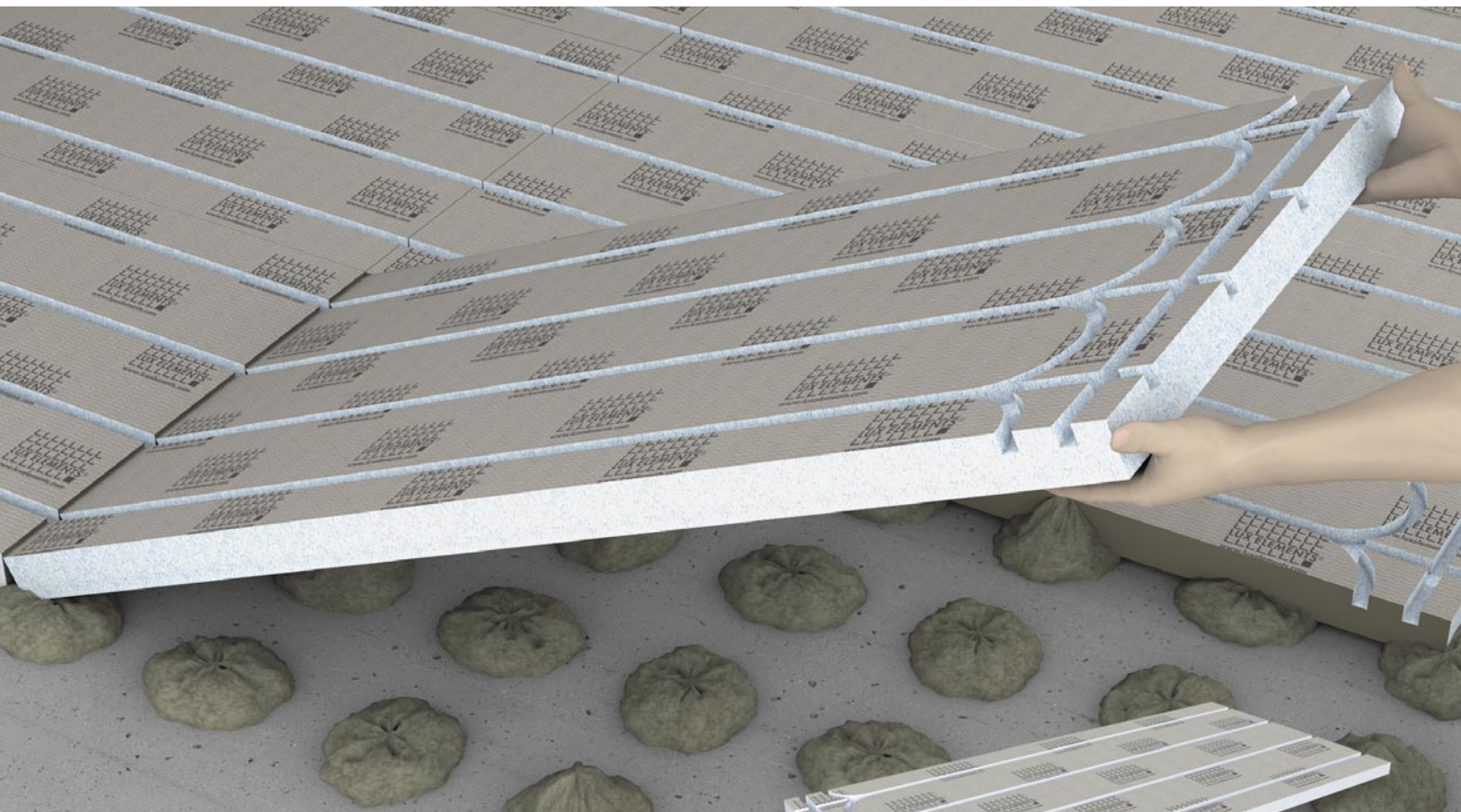


Construction panel for underfloor heating **LUX ELEMENTS®-FLOOR-WH F ...**

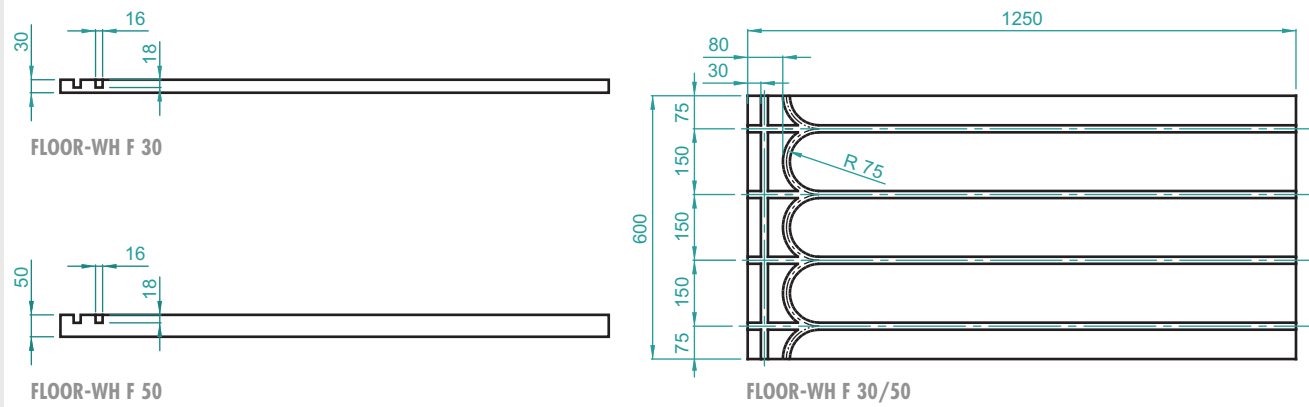


... is suitable for use on either wooden floors or mineral substrates such as concrete or screed. Using FLOOR-WH F 30 the fixing adhesive must always be applied over the full surface, FLOOR-WH F 50 can also be placed on dots (dots spacing ≤ 200 mm). For wooden floors, full coverage adhesion is always required.

Hard foam support element with milling for installing underfloor heating pipes under ceramic surfaces – suitable for water heating with pipe diameter 16 mm

- Installation and insulating element in one
- Low installation heights – ideal for renovations
- Quick and easy installation – short drying times, no screed necessary
- Simple to process – for adaptation to room situation
- Rapid heating of the room
... due to direct heat dissipation into the ceramic top covering

■ DIMENSIONS – LUX ELEMENTS®-FLOOR-WH F ...



Dimensions in mm

■ SYSTEM COMPONENTS (optional)

Fixing adhesive –

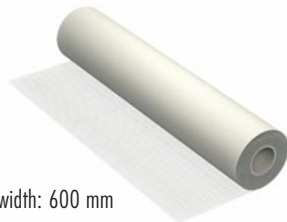
LUX ELEMENTS®-COL-AK



■ 5 kg/25 kg

Reinforcement for surfaces –

LUX ELEMENTS®-ARM-600



■ width: 600 mm

... in wet rooms: sealing filler ...

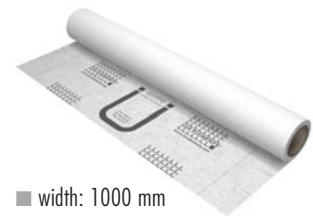
LUX ELEMENTS®-DRY-ASK



■ 3,5 kg/15 kg

and sealing film –

LUX ELEMENTS®-DRY-DF



■ width: 1000 mm

■ SYSTEM COMPONENTS (values for material consumption are approximate)

■ Fixing adhesive – LUX ELEMENTS®-COL-AK

- for bonding the LUX ELEMENTS®-FLOOR-WH F ...-construction panels either over the full surface with the substrate (8 mm notching): approx. 2.8 kg/m² or on dots*: approx. 6 – 10 kg/m² per cm installation height
- for filling empty heating grooves: approx. 4.5 kg/m²
- for filling the grooves with inserted heating pipes: approx. 2 kg/m²
- for reinforcing with the reinforcement fabric LUX ELEMENTS®-ARM 600 or with the sealing film LUX ELEMENTS®-DRY-DF (4 mm notching): approx. 2 kg/m²

■ Sealing filler – LUX ELEMENTS®-DRY-ASK

- for the additional sealing in conjunction with ceramic coverings for two layer application: approx. 2.6 kg/m²
- for filling the overlaps of the sealing film LUX ELEMENTS®-DRY-DF: approx. 0.2 kg/m

* FLOOR-WH F 50 only

■ PRODUCT SPECIFICATIONS

	ARTICLE-NUMBER	ARTICLE-NAME ARTICLE-DESCRIPTION	NOMINAL FORMATS/DIMENSIONS LENGTH X WIDTH X THICKNESS	UNIT
	LFLOOR1000	FLOOR-WH F 30 , hard foam support element, with milled holes for the installation of underfloor heating pipes, pipe diameter 16 mm	1250 x 600 x 30 mm	m ²
	LFLOOR1001	FLOOR-WH F 50 , hard foam support element, with milled holes for the installation of underfloor heating pipes, pipe diameter 16 mm	1250 x 600 x 50 mm	m ²

■ COLLECTIVE PACKAGING – PALLET PER PRODUCT

ARTICLE-NUMBER	ARTICLE-NAME	PIECE/PALLET	m ² /PALLET	PALLET DIMENSIONS – LENGTH X WIDTH X HEIGHT	UNIT	WEIGHT/UNIT	WEIGHT/PALLET
LFLOOR1000	FLOOR-WH F 30	52	39	1250 x 1200 x 900 mm	m ²	3,8 kg	160 kg
LFLOOR1001	FLOOR-WH F 50	32	24	1250 x 1200 x 920 mm		4,4 kg	115 kg