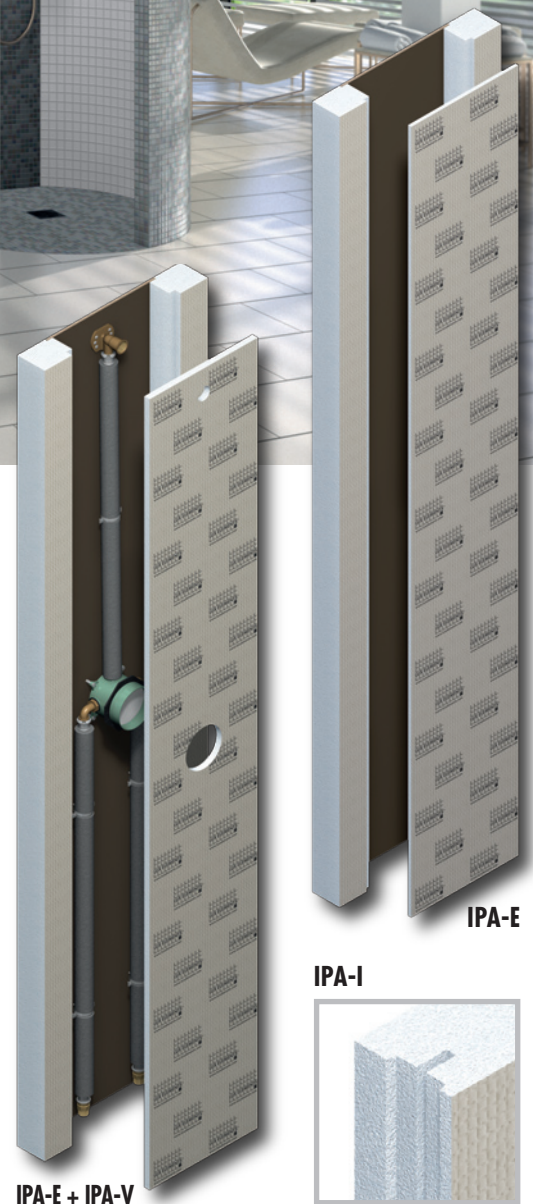


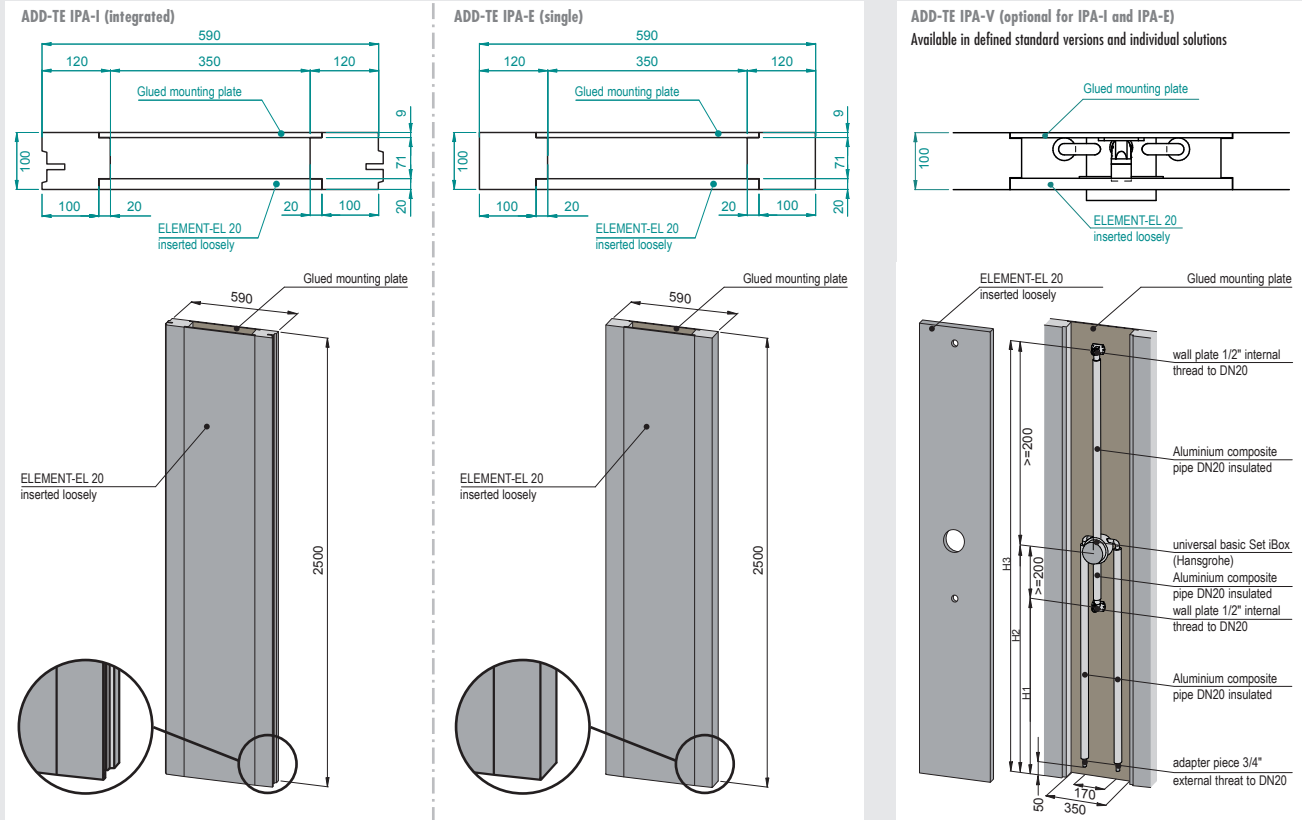
Installation panel for the fastening of fittings **LUX ELEMENTS®-ADD-TE IPA-...**



- Prefabricated element
factory-integrated or for self-installation
in a room construction
- Easy installation of fittings
due to stable surface
- Also with pre-installed flush-mounted iBox
from Hansgrohe as well as the associated
piping with connections
all connections pressed and tested



■ DIMENSIONS – LUX ELEMENTS®-ADD-TE IPA-...



Visit www.luxelements.com for further information.
 Data sheets and test certificates under 'Downloads'.

■ MOUNTING ACCESSORIES (optional)



Mounting adhesive
LUX ELEMENTS®-COL-MK

■ cartusche 290 ml



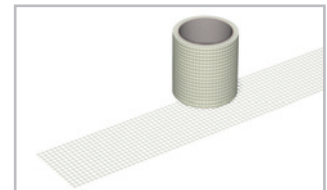
Sealing filler
LUX ELEMENTS®-DRY-ASK

■ bag 3,5 kg
 ■ bag 15 kg



Fixing adhesive
LUX ELEMENTS®-COL-AK

■ bag 5 kg
 ■ bag 25 kg



Reinforcement for transitions
LUX ELEMENTS®-ARM 100 SK

■ self-adhesive design
 ■ 100 mm wide

■ PRODUCT SPECIFICATIONS

ARTICLE-NUMBER	ARTICLE-NAME	ARTICLE-DESCRIPTION	DIMENSIONS WIDTH x LENGTH x HEIGHT	UNIT
LEADD1000	ADD-TE IPA-I	Installation panel for holding cables, fittings and other technical components, factory-integrated into a room construction	max. 590 x max. 2500 x 100 mm	surcharge
LEADD1001	ADD-TE IPA-E	Installation panel for holding cables, fittings and other technical components, for self-installation in a room construction	590 x 2500 x 100 mm	piece
LEADD1002	ADD-TE IPA-V	Factory-fitted pipework for IPA-I and IPA-E with flush-mounted iBox from Hansgrohe plus the associated fittings; all connections are pressed and tested		surcharge

■ INDIVIDUAL PACKAGING

ARTICLE-NUMBER	ARTICLE-NAME	CONTAINER	PACKAGING	DIMENSIONS WIDTH x LENGTH x HEIGHT	UNIT	WEIGHT/ UNIT	WEIGHT/ CARTON
LEADD1000	ADD-TE IPA-I				surcharge		
LEADD1001	ADD-TE IPA-E	1 piece	carton	615 x 2530 x 115 mm	piece	14 kg	16 kg
LEADD1002	ADD-TE IPA-V				surcharge		

COLLECTIVE PACKAGING ON REQUEST