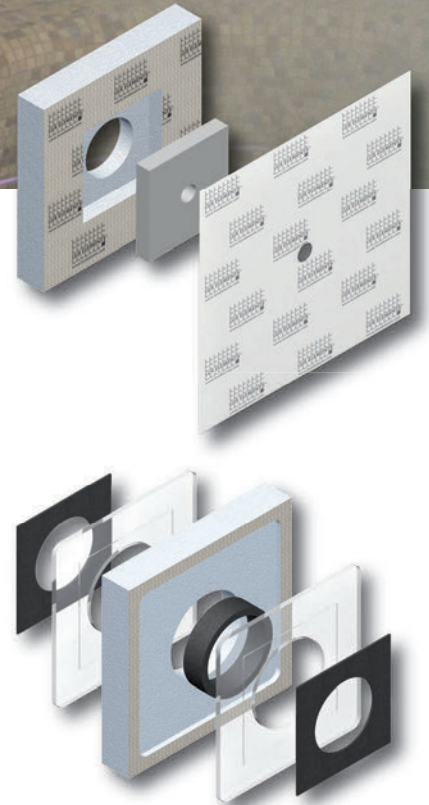


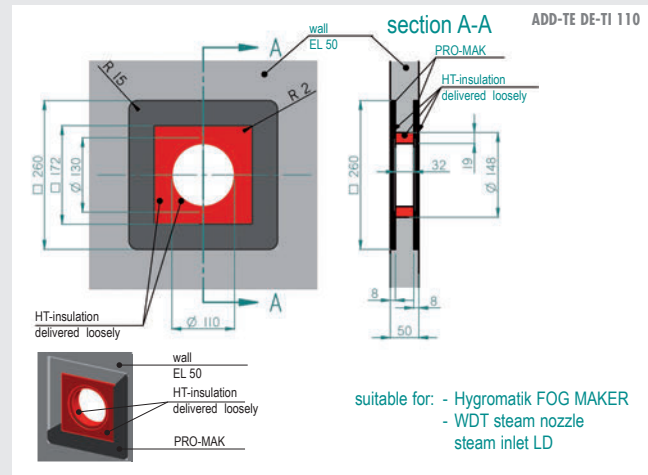
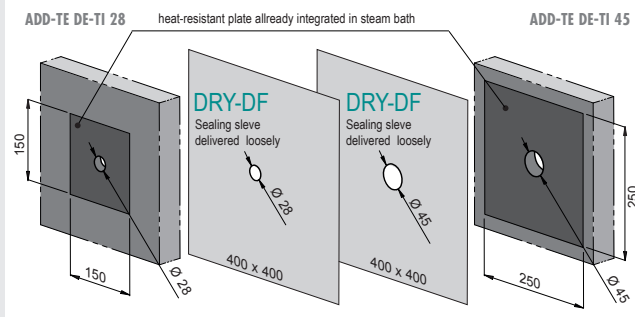
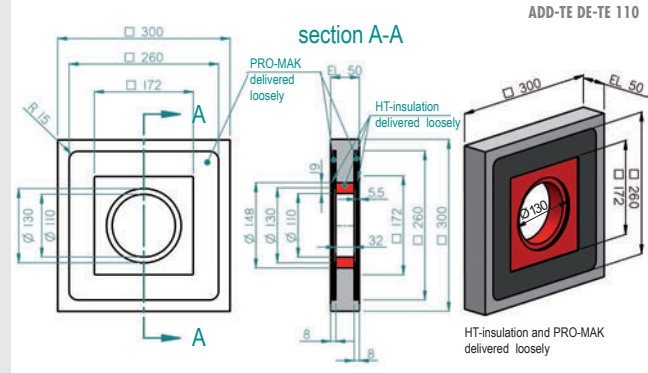
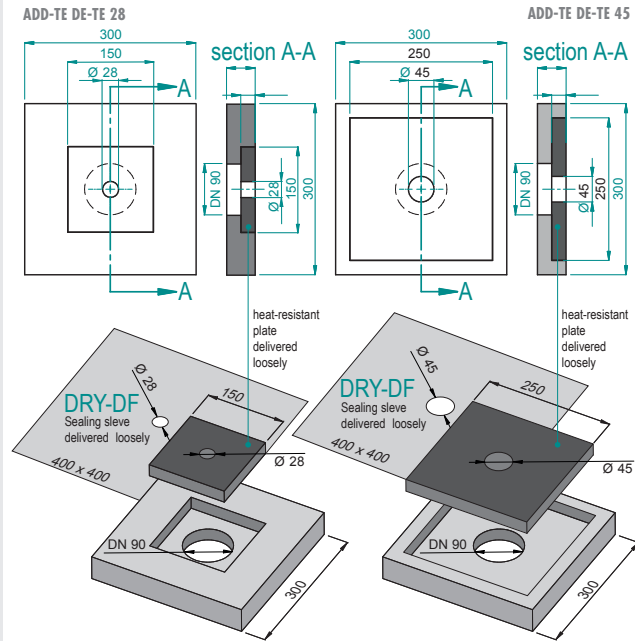
## Supporting panel for a steam inlet – LUX ELEMENTS®-ADD-TE DE-T...



- Prefabricated system accessories for fastening the steam inlet
- Safe feed-through of a steam pipe
- Three sizes with different holes (28, 45, 110 mm) depending on the manufacturer's type
- Factory-integrated or single
- Waterproof and mould-resistant



## ■ DIMENSIONS – LUX ELEMENTS®-ADD-TE DE-T...



Visit [www.luxelements.com](http://www.luxelements.com) for further information.  
Data sheets and test certificates under 'Downloads'.

## ■ MOUNTING ACCESSORIES (optional)



Mounting adhesive  
**LUX ELEMENTS®-COL-MK**  
■ cartridge 290 ml



Sealing filler  
**LUX ELEMENTS®-DRY-ASK**  
■ bag 3,5 kg  
■ bag 15 kg

## ■ PRODUCT SPECIFICATIONS

ARTICLE-NUMBER	ARTICLE-NAME	ARTICLE-DESCRIPTION	DIMENSIONS LENGTH x WIDTH x HEIGHT	UNIT
LEADD1200	ADD-TE DE-TI 28	Supporting panel for a steam inlet, integrated		surcharge
LEADD1201	ADD-TE DE-TE 28	Supporting panel for a steam inlet, single	300 x 300 x 50 mm	piece
LEADD1202	ADD-TE DE-TI 45	Supporting panel for a steam inlet, integrated		surcharge
LEADD1203	ADD-TE DE-TE 45	Supporting panel for a steam inlet, single	300 x 300 x 50 mm	piece
LEADD1204	ADD-TE DE-TI 110	Supporting panel for a steam inlet, integrated		surcharge
LEADD1205	ADD-TE DE-TE 110	Supporting panel for a steam inlet, single	300 x 300 x 50 mm	piece

## ■ INDIVIDUAL PACKAGING

ARTICLE-NUMBER	ARTICLE-NAME	CONTAINER	PACKAGING	DIMENSIONS LENGTH x WIDTH x HEIGHT	UNIT	WEIGHT/ UNIT	WEIGHT/ CARTON
LEADD1201	ADD-TE DE-TE 28	1 piece	carton	340 x 310 x 120 mm	piece	1,30 kg	2,00 kg
LEADD1203	ADD-TE DE-TE 45			340 x 310 x 120 mm		1,30 kg	2,00 kg
LEADD1205	ADD-TE DE-TE 110			340 x 310 x 120 mm		1,30 kg	2,00 kg

COLLECTIVE PACKAGING ON REQUEST