

Light rope colour (RGB)

Technical data

Light rope

Light colour	RGB
Rated power	10 W/m
Rated voltage	24 V
Average lifetime	35000 hours
Protection class	IP 67
Ambient temperature	-30 ~ +80 °C
Dimensions (W x H x L)	10 x 18 x max. 10000 mm
Weight without cable	approx. 0,220 kg/m
Material	Silicone
Colour	white
Pitch dimension	100 mm
No. of LEDs	60 pieces/m
Smallest bending radius	40 mm

Supply cable

Length	approx. 5000 mm
Cross section	4 x 0,5 mm ²
Material	Copper / plastic
Colour	white
Weight	approx. 3,0 kg

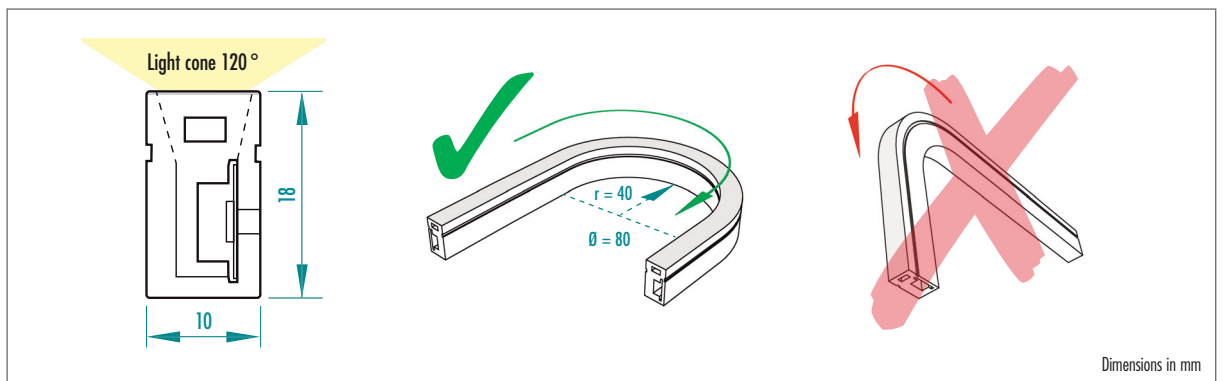
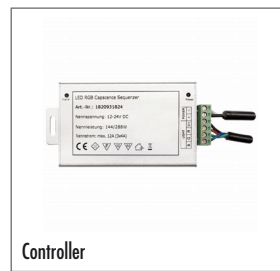
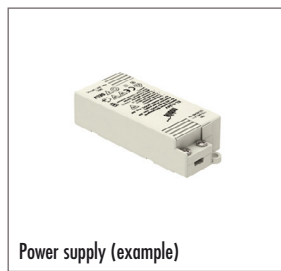
Power supplies

	30 W	60 W	120 W
Output / Rated power	30 W	60 W	120 W
/ Rated voltage	24 V DC	24 V DC	24 V DC
/ Rated current	240 mA	470 mA	740 mA
Input / Rated power	220–240 V AC	220–240 V AC	220–240 V AC
/ Rated current	50 / 60 Hz	50 / 60 Hz	50 / 60 Hz
Length	142 mm	170 mm	255 mm
Width	45 mm	45 mm	45 mm
Height	30 mm	30 mm	32 mm
Weight	0,130 kg	0,170 kg	0,410 kg
Material	Plastic	Plastic	Plastic
Average lifetime	35000 hours	35000 hours	35000 hours
Protection class	IP 20	IP 20	IP 20
Dimmable	not dimmable	not dimmable	not dimmable
for L-RGB up to length	max. 3000 mm	max. 6000 mm	max. 12000 mm

Light rope colour (RGB)

Controller & radio remote control RGB

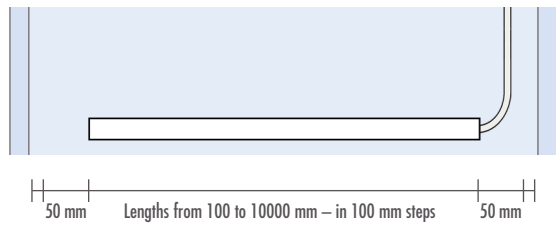
Rated power	288 W
Rated voltage	24 V
Rated current	12 A
Output	3 x 24 V, PWM / 3 x 4 A
Ambient temperature	0 – 60 °C
Material controller	Aluminum
Material radio remote control	Plastic
Protection class	IP 20
Frequency	433,92 MHz
Range radio remote control	ca. 15 m
Dimensions controller	130 x 65 x 24 mm (L x B x H)
Dimensions radio remote control	114 x 56 x 22 mm (L x B x H)
Weight controller	ca. 0,1 kg
Weight radio remote control	ca. 0,065 kg



Light rope colour (RGB)

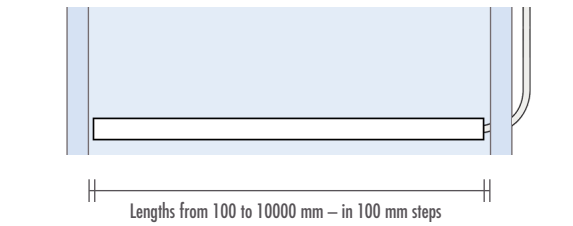
Installation situation

from wall to wall (cable inside the walls) *



*Example: Length between two walls = 1430 mm
 1430 - 100 = 1330 mm = Length light rope 1300 mm = 30 mm rest
 left and right 65 mm unlit - Light shines symmetrically*

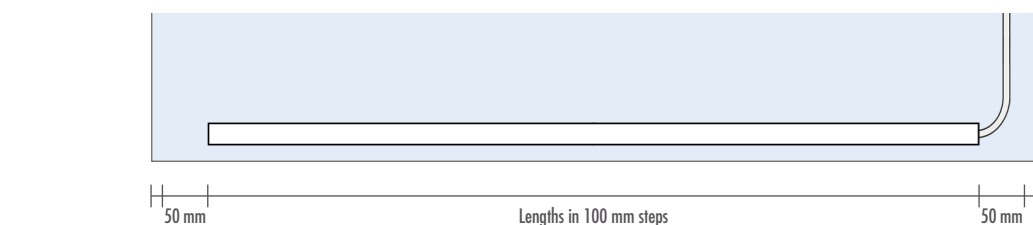
from wall to wall (cable outside the walls) *



*Example: Length between two walls = 1430 mm
 1430 = Length light rope 1400 mm = 30 mm rest
 left and right 15 mm unlit - Light shines symmetrically*

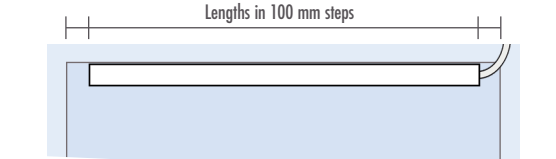
* Both installation situations are also possible for the product groups **TOP-TRU...** / **TOP-WP...** / **CONCEPT-BA...** - depending on the structural situation

LAVADO



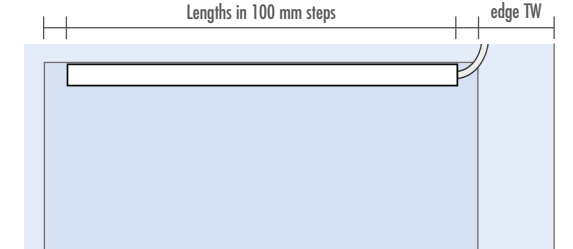
*Example: LAVADO-FLOAT L & G (standard format) = 1170 mm width washstand
 1170 - 100 mm = Length light rope 1070 mm = 20 mm rest
 left and right 60 mm unlit - Light shines symmetrically*

RELAX-NI (cable outside the niche)



Example:
 - RELAX-NI-M / -L / -XL (vertical installation) =
 internal clearance dimension 305 mm = Length light rope 300 mm
 - RELAX-NI-L (horizontal installation) =
 internal clearance dimension 457 mm = Length light rope 450 mm
 - RELAX-NI-XL (horizontal installation) =
 internal clearance dimension 68 mm = Length light rope 950 mm

RELAX-TW



*Example: Niche milling 1070 mm wide =
 Length light rope 1050 mm = 20 mm rest
 left and right 10 mm unlit - Light shines symmetrically*

The relevant recommendations and guidelines, as well as DIN regulations, European standards and safety datasheets are to be observed. The recognised architectural and technical rules apply. We accept liability for the perfect quality of our products. Our processing recommendations are based upon trials and practical experience; they can, however, be no more than general instructions without assurance as to their quality, since we have no influence on the site conditions, on the execution of the work and the processing. With the issuing of this product datasheet previous versions cease to be valid.