

### Product Description

LUX ELEMENTS®-ADD-TE IPA-V is a prefabricated and plumbed installation panel with mounted concealed fitting and the corresponding pipes and outlets. The installation panel consists of side panels made of hard foam support material, a rear-side mounting plate (screen print) as well as a matching cover panel from LUX ELEMENTS®-ELEMENT-EL 20.

### Applications

LUX ELEMENTS®-ADD-TE IPA-V is either made as an individual panel or integrated into a steam shower construction. The supply lines (hot and cold water) are installed either from above or below depending on the customer's specifications. The transfer points of the supply lines are made with a 3/4" external thread and are situated 5 cm ahead of the end of the panel. Furthermore there is the optional possibility of either one or two outlets for e.g. a Kneipp hose or head sprinkler. The positions of the outlets, wall plates with 1/2" internal thread must be specified by the customer. The cover panel with the prefabricated openings for the concealed fittings and the outlets is enclosed separately and must be mounted and sealed after installation.

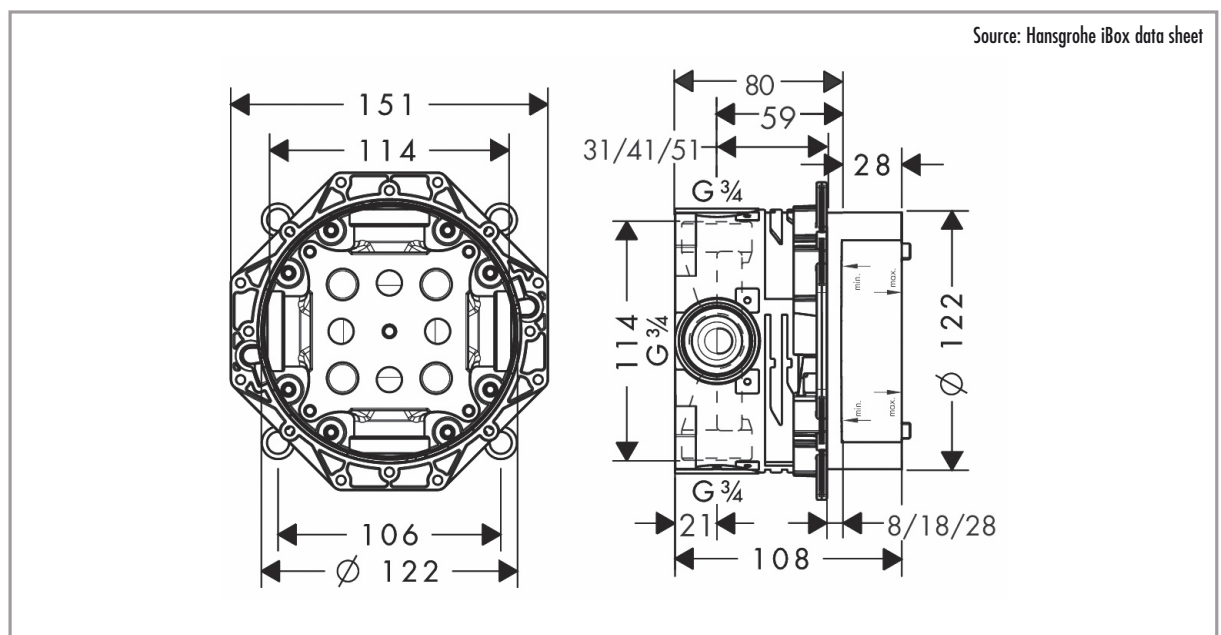
### Recommended use

LUX ELEMENTS®-ADD-TE IPA-V is delivered with the pipes pre-installed and tested for leaks. A leakage test at the transfer points should be performed after connection of the supply lines. The cover panel can be subsequently glued in using LUX ELEMENTS®-COL-MK. The panel joints must be filled and reinforced using LUX ELEMENTS®-COL-AK and LUX ELEMENTS®-ARM-100 SK. Sealing of the concealed fittings should take place using the enclosed sealing sleeves; these are optionally available for the connection points (LUX ELEMENTS®-DRY-DBDZM). Thickness of surface covering up to 18 mm. Other thickness of the cover material on request. A tap extension may be required depending on the thickness of the cover material. Covering of the panel can take place with ceramic tiles or suitable plastering systems.

### Technical Specifications

#### Technical specifications of the concealed fittings

|  |  |
|--|--|
| Connections:                           | 4 pc. 3/4" internal thread   |
| Material:                              | Brass base body with sound-insulated plastic housing   |
| Manufacturer of the concealed fitting: | Hansgrohe Deutschland Vertriebs GmbH, Auestr. 5-9, D-77761 Schiltach<br>Phone: +49 (0)78 36/51-0, Fax: +49 (0)78 36/51-1141, E-Mail: info@hansgrohe.de |



Technical specifications of the pipe/multilayer composite pipe

Dimensions: DN 20 x 2 mm insulated

Material: Inner pipe and outer sheath made of PE-RT with intermediate aluminium barrier layer

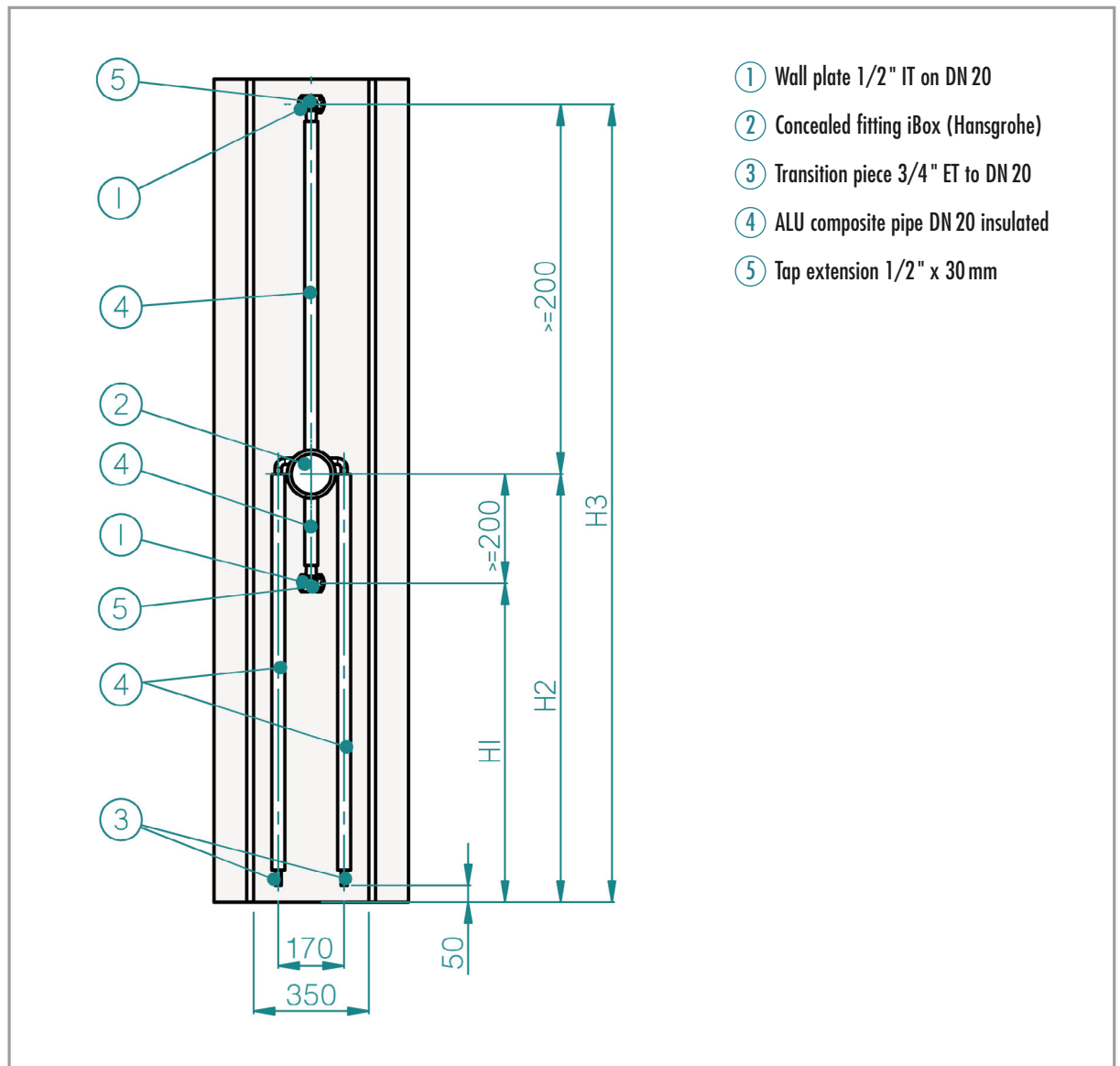
Technical specification of the fittings

Dimensions of transfer points: 3/4" ET on DN 20

Material: Brass press fitting

Dimension of connection points 1/2" IT on DN 20

Material: Brass press fitting



- ① Wall plate 1/2" IT on DN 20
- ② Concealed fitting iBox (Hansgrohe)
- ③ Transition piece 3/4" ET to DN 20
- ④ ALU composite pipe DN 20 insulated
- ⑤ Tap extension 1/2" x 30 mm

### Inspections

A pressure test protocol acc. to ZVSHK / 2011 (German Central Association for Plumbing, Heating and Air Conditioning) for drinking water installation with the test media compressed air and inert gas is prepared.

Only materials on the positive list compliant with § 17 subpar. 3 of the TrinkwV 2001 (German Drinking Water Ordinance), hence being safe for use in drinking water installations are used according to the statement of our suppliers.

DVGW (German Association for Gas and Water) tested and approved (drinking water approval)



### Accessories

- LUX ELEMENTS®-COL-AK
- LUX ELEMENTS®-COL-MK
- LUX ELEMENTS®-ARM-100 SK
- LUX ELEMENTS®-DRY-ASK
- LUX ELEMENTS®-DRY-DBDZM

Matching installation sets / mixer taps and accessories for the iBox see [www.hansgrohe.de](http://www.hansgrohe.de)

The relevant recommendations and guidelines, as well as DIN regulations, European standards and safety datasheets are to be observed. The recognised architectural and technical rules apply. We accept liability for the perfect quality of our products. Our processing recommendations are based upon trials and practical experience; they can, however, be no more than general instructions without assurance as to their quality, since we have no influence on the site conditions, on the execution of the work and the processing. With the issuing of this product datasheet previous versions cease to be valid.

#### LUX ELEMENTS GmbH & Co. KG

An der Schusterinsel 7  
D - 51379 Leverkusen-Opladen  
Tel. +49 (0) 21 71/72 12-0  
Fax +49 (0) 21 71/72 12-40  
E-Mail [info@luxelements.de](mailto:info@luxelements.de)

#### LUX ELEMENTS S.A.S

ZI-31, rue d'Ensisheim  
F - 68190 Ungersheim  
Tél. +33 (0) 3 89 83 69 79  
Fax +33 (0) 3 89 48 83 27  
E-Mail [info@luxelements.fr](mailto:info@luxelements.fr)